



WILO TOP S Submittal

Top S 1.5 x 40 Single Phase Series

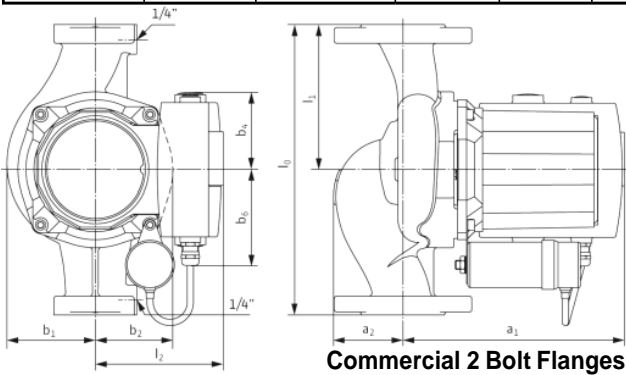


Pumpen Intelligenz.

Project:	
Engineer:	
Contractor:	
Submitted By:	Date:
Approved By:	Date:

Tag #	Model #	Flow	Head	Volt	Phase	Comments
	TOP S 1.5 X 40				1	
	TOP S 1.5 X 40				1	

Details	Max Hp	Pipe Size	l0	l1	l2	a1	a2	b1	b2	b4	b6	Weight
Imperial	5/8 Hp	1 1/2"	10	5	4 3/4	9 1/4	2 5/16	3 9/16	3 1/8	2 3/4	3 5/16	31.5 lbs
Metric	450 Watt	40 mm	254	127	120	235	58	90	79	70	83.5	14.3 kg



Speed	RPM	Max Watts	Amps 115 V	Amps 230 V
Max	3350	755	7.5	3.8
Min	3200	745	7.2	3.6

140 deg F (60 C)	194 deg F (90 C)	Min Inlet Pressure
1.8 PSI (12 kpa)	7.3 PSI (50 kpa)	

Operating Limits

Max Temp 14 to 248 Deg F (- 10 to 120 Deg C)
 Max Ambient Temp 104 Deg F (40 Deg C)
 Max Working Pressure 145 PSI (10 Bar)

Materials of Construction

Impeller Polypropylene (50% Glass Filled)
 Shaft Stainless Steel (X40 Cr13)
 Bearing Metal Impregnated Carbon
 Volute Cast Iron (Closed Systems)
 Cataphoresis Coated
 Bronze Available (B Model)

