



WILO TOP S Submittal

Top S 1.25 x 35 Single Phase Series

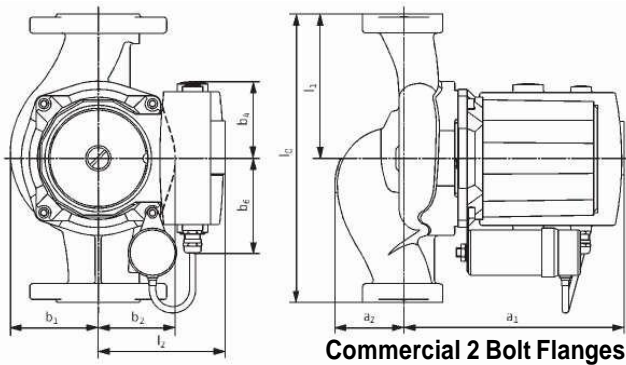


Pumpen Intelligenz.

Project:	
Engineer:	
Contractor:	
Submitted By:	Date:
Approved By:	Date:

Tag #	Model #	Flow	Head	Volt	Phase	Comments
	TOP S 1.25 X 35				1	
	TOP S 1.25 X 35				1	

Details	Max Hp	Pipe Size	l0	l1	l2	a1	a2	b1	b2	b4	b6	Weight
Imperial	1/4 Hp	1 1/4"	8 1/2	4 1/4	4 7/16	7 11/16	1 11/16	2 11/16	2 3/8	2 3/4	3 5/16	18.5 lbs
Metric	180 Watt	32 mm	216	108	113	195	42.5	69	60	70	83.5	8.4 kg



Speed	RPM	Max Watts	Amps 115 V	Amps 230 V
Max	3250	315	3.1	1.6
Min	3050	305	2.9	1.5

140 deg F (60 C)	194 deg F (90 C)	Min Inlet Pressure
1.8 PSI (12 kpa)	7.3 PSI (50 kpa)	

Operating Limits

Max Temp 14 to 248 Deg F (- 10 to 120 Deg C)
 Max Ambient Temp 104 Deg F (40 Deg C)
 Max Working Pressure 145 PSI (10 Bar)

Materials of Construction

Impeller Polypropylene (50% Glass Filled)
 Shaft Stainless Steel (X40 Cr13)
 Bearing Metal Impregnated Carbon
 Volute Cast Iron (Closed Systems)
 Cataphoresis Coated

