

BIMETAL THERMOMETER

3" Lower Connection

Miljoco lower connected bimetal thermometers are ideal for applications requiring a compact dial and fixed lower connection. These tamper-proof instruments are an excellent choice when an external recalibrator or pointer adjustment are not required. The hermetically-sealed, stainless steel case prevents moisture from entering into the instrument and fogging the lens, thus allowing the operator to obtain clear, accurate readings.

General Specifications

CASE & RING: Hermetically sealed 300 series stainless steel.

LENS: Double strength glass standard, with polycarbonate (250°F maximum range) optional.

DIAL: Anti-parallax, aluminum with white finish and black markings.

POINTER: Black.

RECALIBRATOR: None.

CONNECTION: 300 series stainless steel, 1/2" NPT.

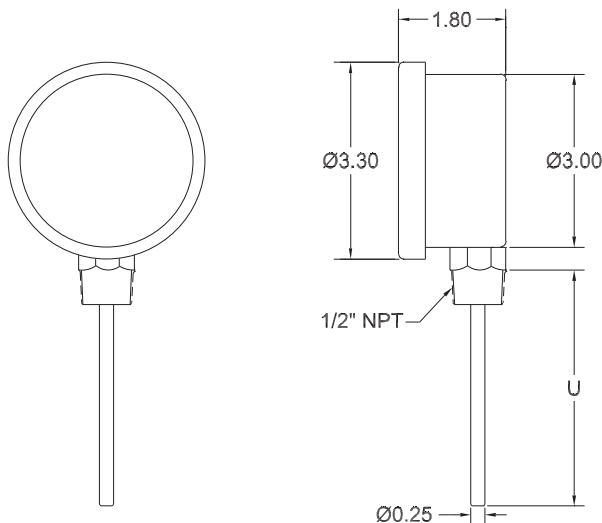
STEM: 300 series stainless steel, Ø 0.250".

ACCURACY: ±1% full range (ASME B40.3 Grade A).

AMBIENT TEMPERATURE: -40 to 250°F (-40 to 120°C).



Dimensions (in.)



Ranges

Range Code	Range	°F Scale		°C Scale	
		Fig.	Div.	Fig.	Div.
39	-40 to 160°F / -40 to 70°C	20°	2°	10°	1°
43	25 to 125°F / -5 to 50°C	10°	1°	5°	.5°
54	0 to 250°F / -20 to 120°C	50°	2°	20°	2°
63	50 to 300°F / 10 to 150°C	50°	2°	20°	2°
94	50 to 500°F / 10 to 260°C	50°	2°	20°	2°
65	150 to 750°F / 50 to 400°C	100°	10°	50°	5°
59	200 to 1000°F / 100 to 530°C	100°	10°	50°	5°

Other ranges may be available - consult factory.

Stem Lengths

Stem Length "U" (in.)					
Code	2	4	6	9	12
Dim.	2.50	4.00	6.00	9.00	12.00

Other stem lengths available - consult factory.

To Order

B 3 0 9 9 L **9 4** - **2**
 Model Number Range Code Stem Length

Options

Polycarbonate Lens (Model B3098L)

