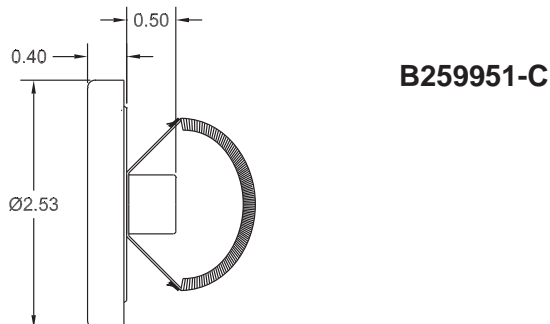
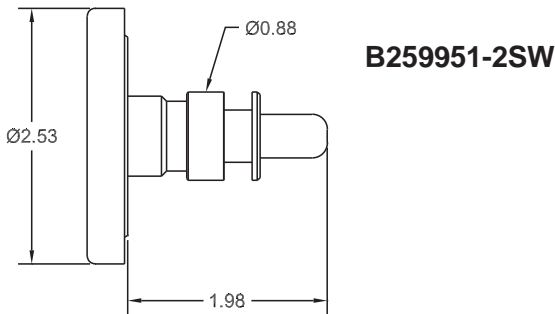
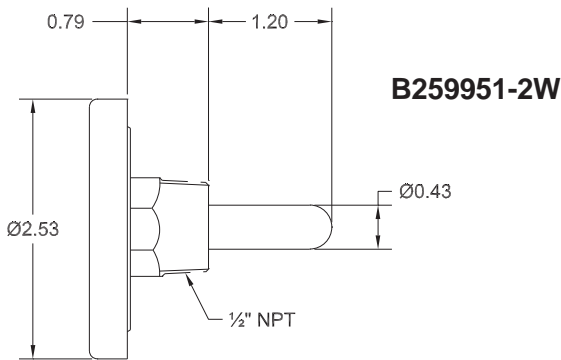


HOT WATER THERMOMETER

Bimetal Type - 2½" Dial

The Miljoco Hot Water Thermometer represents a good value for installations where temperature accuracy is less critical and there are no corrosive elements in the environment or process media. This thermometer simply press-fits into the brass thermowell that is provided. A clamp-on version is also available for mounting directly onto a small diameter pipe to eliminate the need for a piping tee. Typical installations are heating coils, hydronic radiant in-floor systems, outdoor wood-burning furnaces, etc.

Dimensions (in.)



Thermowell included



B259951-2W

Range

Range	°F Scale		°C Scale	
	Fig.	Div.	Fig.	Div.
30 to 250°F / 0 to 120°C	50°	5°	20°	2°

General Specifications

CASE: Zinc plated brass.

RING: Chrome plated brass.

LENS: Glass.

DIAL: Aluminum, white finished with black and red markings.

POINTER: Black.

RECALIBRATOR: External reset on tip of stem.

STEM: Brass

MOUNTING:

B259951-2W: Brass thermowell, 1/2" NPT

B259951-2SW: Brass thermowell, sweat conn.

B259951-C: Flexible steel mounting spring

ACCURACY: ±5°F & ±2°C.

AMBIENT TEMPERATURE: -40 to 250°F
(-40 to 120°C).

