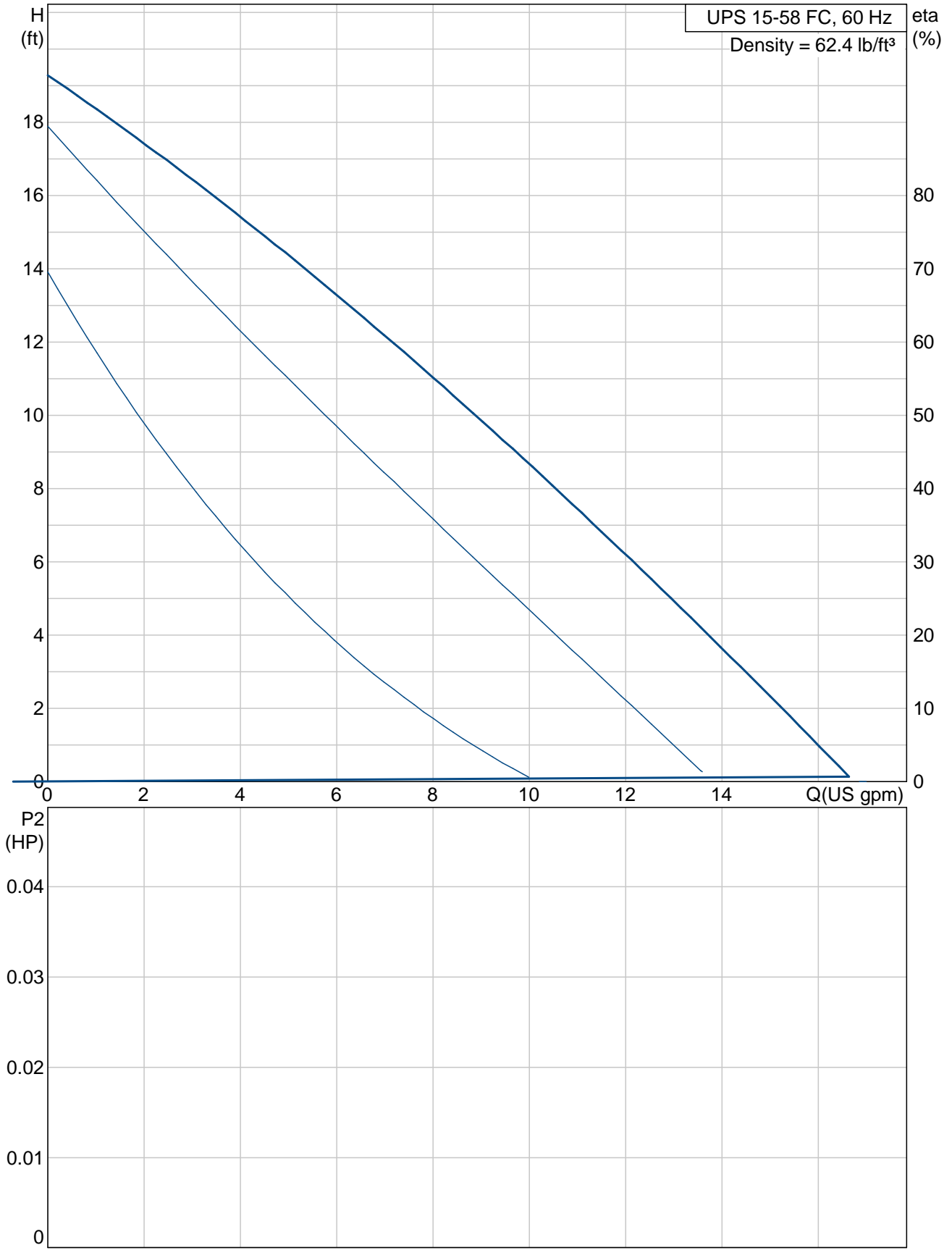
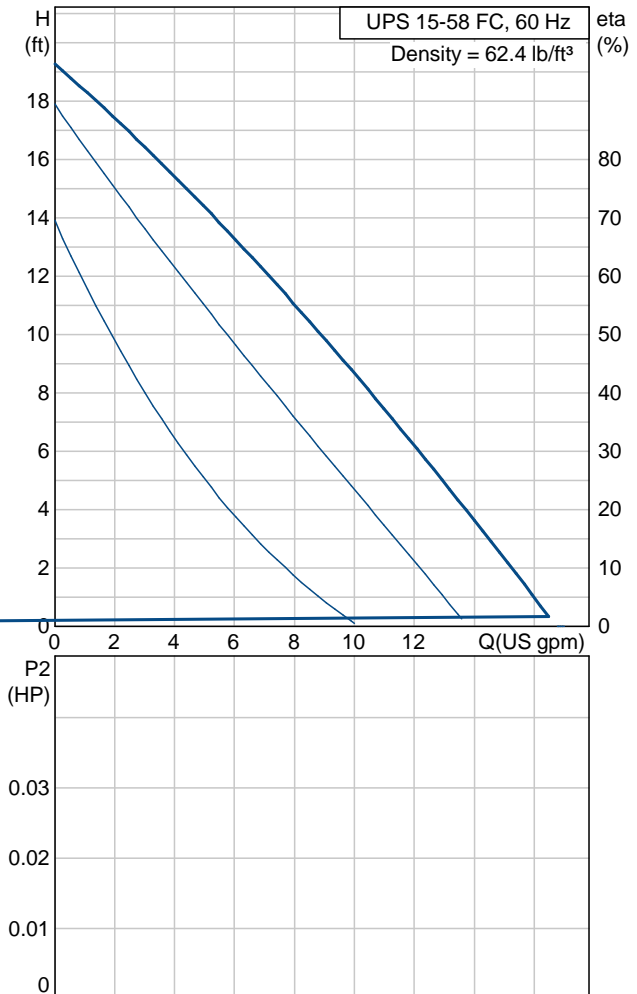
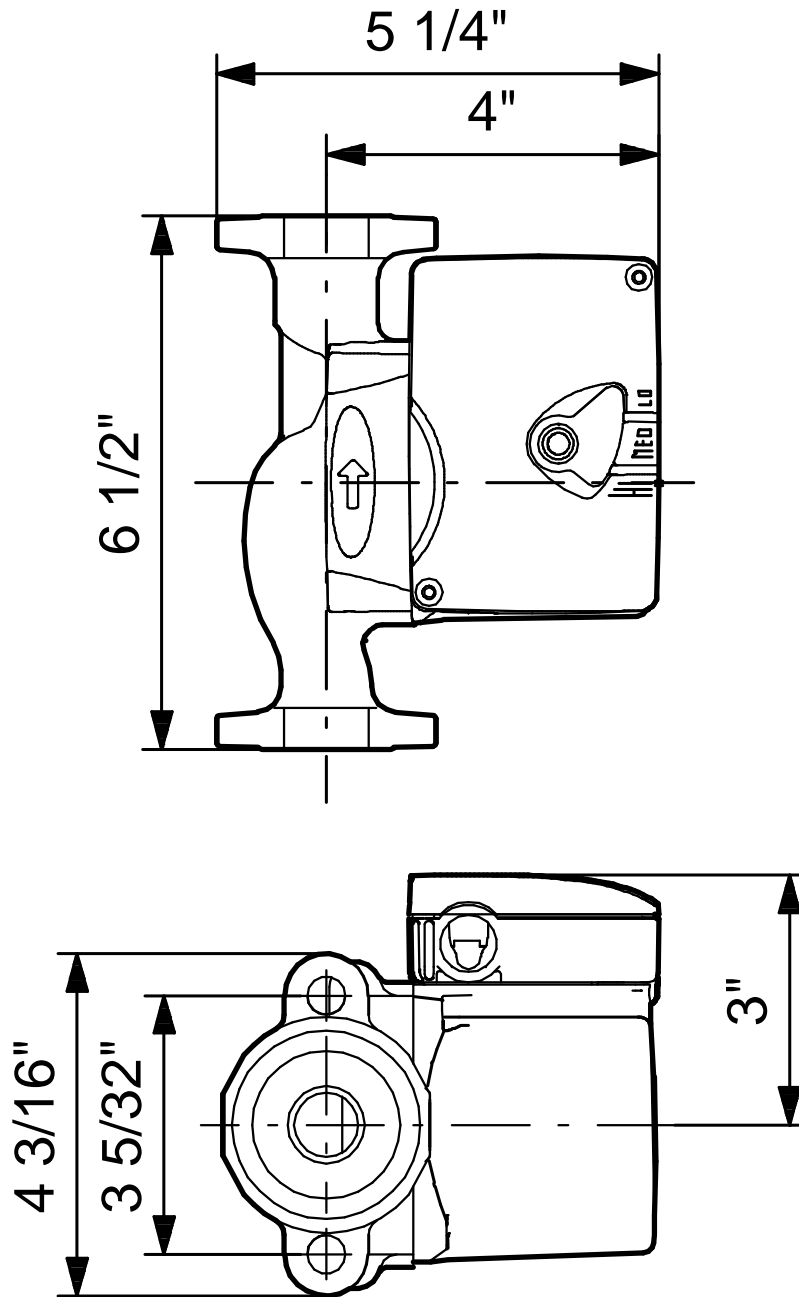


59896341 UPS 15-58 FC 60 Hz



| Description | Value |
|------------------------------|--|
| Product name: | UPS 15-58 FC |
| Product Number: | 59896341 |
| EAN number: | 5700395855203 |
| Technical: | |
| Speed Number: | 3 |
| Max flow: | 17.2 US gpm |
| Head max: | 19.4 ft |
| Approvals on nameplate: | UL, CSA |
| Valve: | pump with built-in isolating and non-return valves |
| Materials: | |
| Pump housing: | Cast iron EN-JL1030 ASTM 30 B |
| Impeller: | Composite, PES |
| Installation: | |
| Maximum ambient temperature: | 104 °F |
| Ambient max at 176°F liquid | 176 °F |
| Maximum operating pressure | 145 psi |
| Flange standard: | USA Oval |
| Type of connection: | C.I. Flange |
| Pipe connection: | 2 - Bolt Flange |
| Pressure stage: | 10 |
| Port-to-port length: | 6 1/2 in |
| Liquid: | |
| Liquid temperature range | 35.6 .. 230 °F |
| Density: | 62.4 lb/ft³ |
| Electrical data: | |
| Number of poles: | 2 |
| Power input in speed 1: | 60 W |
| Power input in speed 2: | 80 W |
| Max. power input: | 87 W |
| Rated power - P2: | 0.04 HP |
| Main frequency: | 60 Hz |
| Rated voltage: | 1 x 115 V |
| Current in speed 1 | 0.55 A |
| Current in speed 2 | 0.66 A |
| Current in speed 3 | 0.75 A |
| Capacitor size - run | 10 µF/180 V |
| Insulation class (IEC 85): | F |
| Motor protection: | CONTACT |
| Thermal protec: | internal |
| Controls: | |
| Pos term box: | 9H |
| Others: | |
| Gross weight: | 7.25 lb |





Note! All units are in [mm] unless others are stated.
Disclaimer: This simplified dimensional drawing does not show all details.