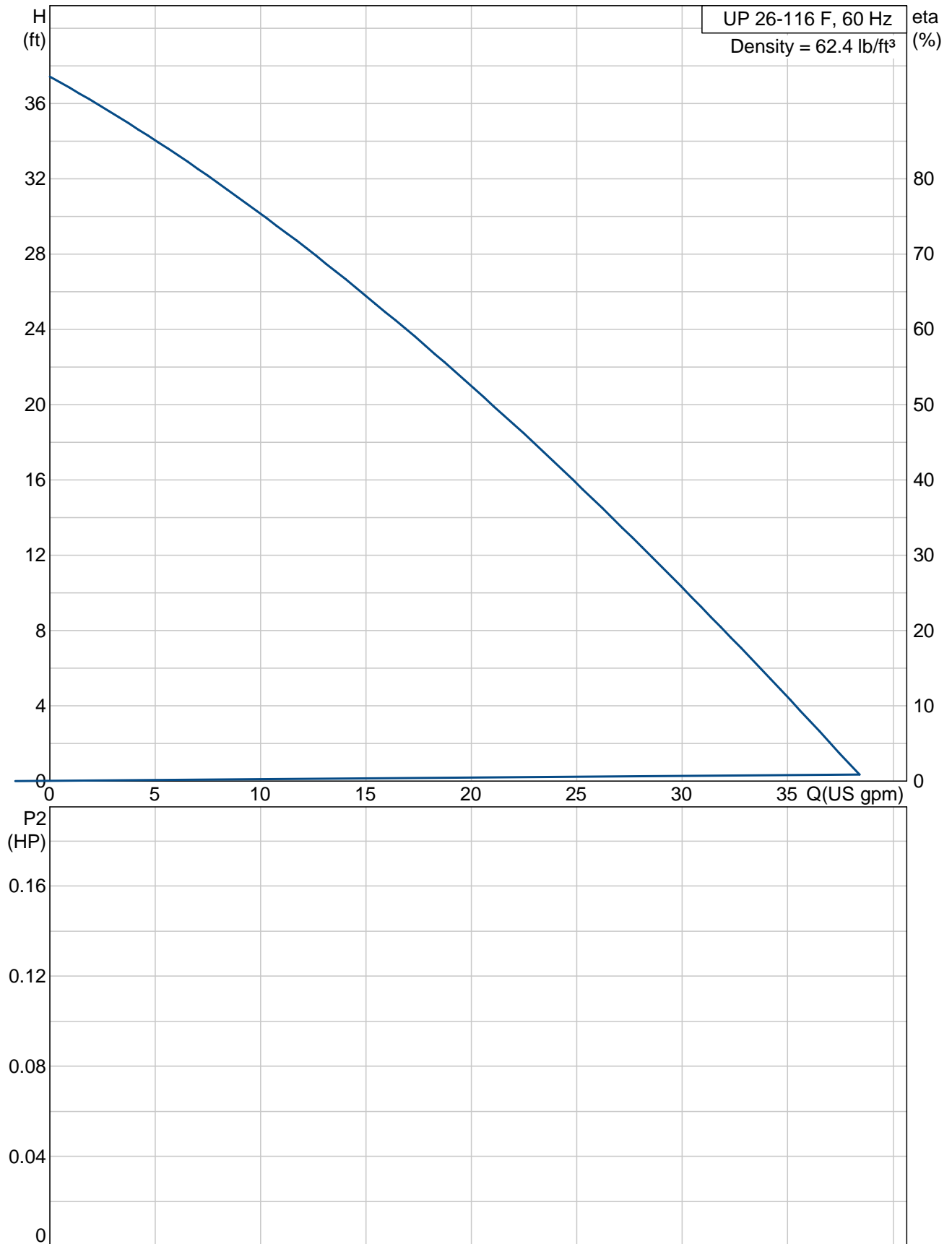
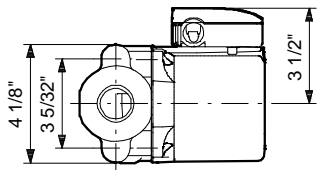
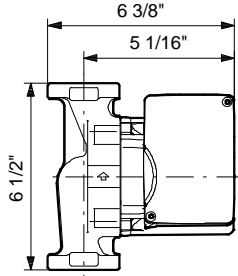
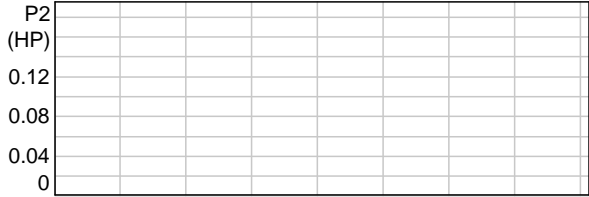
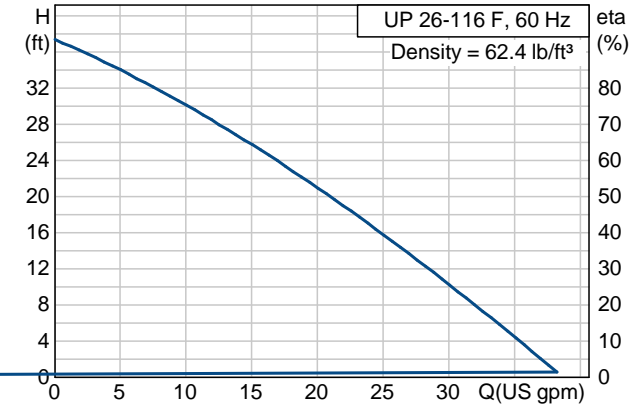
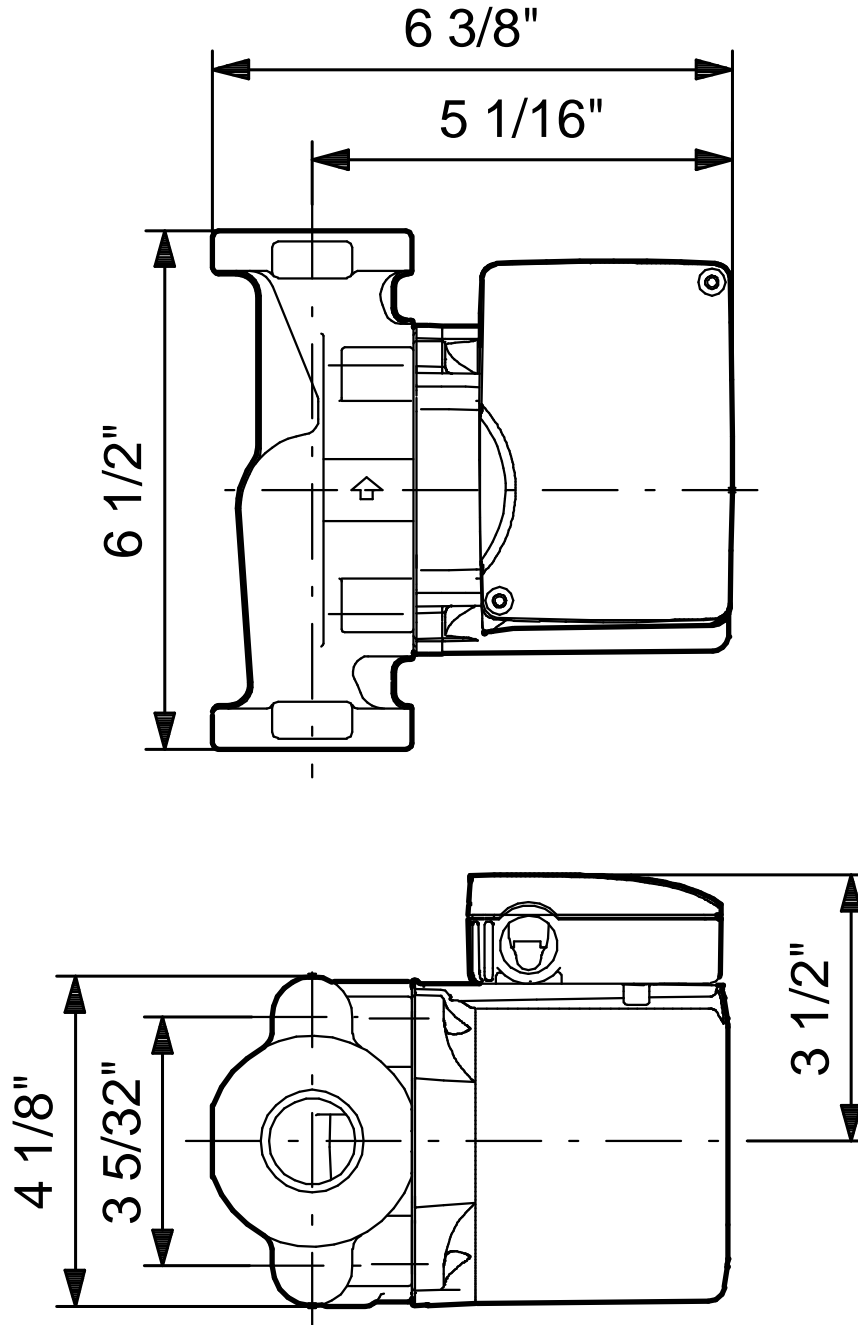


52722377 UP 26-116 F 60 Hz



Description	Value
Product name:	UP 26-116 F
Product Number:	52722377
EAN number:	5700394446129
Technical:	
Speed Number:	1
Max flow:	37 US gpm
Head max:	37.1 ft
Approvals on nameplate:	UL, CSA
Materials:	
Pump housing:	Cast iron EN-JL1030 ASTM 30 B
Impeller:	Composite, PES
Installation:	
Maximum ambient temperature:	104 °F
Ambient max at 176°F liquid	176 °F
Maximum operating pressure	145 psi
Flange standard:	USA Oval
Type of connection:	C.I. Flange
Pipe connection:	2 - Bolt Flange
Pressure stage:	10
Port-to-port length:	6 1/2 in
Liquid:	
Liquid temperature range	32 .. 149 °F
Density:	62.4 lb/ft³
Electrical data:	
Number of poles:	2
Max. power input:	385 W
Rated power - P2:	0.161 HP
Main frequency:	60 Hz
Rated voltage:	1 x 230 V
Current in speed 3	1.8 A
Capacitor size - run	2.5 µF/380 V
Insulation class (IEC 85):	F
Motor protection:	CONTACT
Thermal protec:	internal
Controls:	
Pos term box:	9H
Others:	
Gross weight:	11.5 lb





Note! All units are in [mm] unless others are stated.
Disclaimer: This simplified dimensional drawing does not show all details.