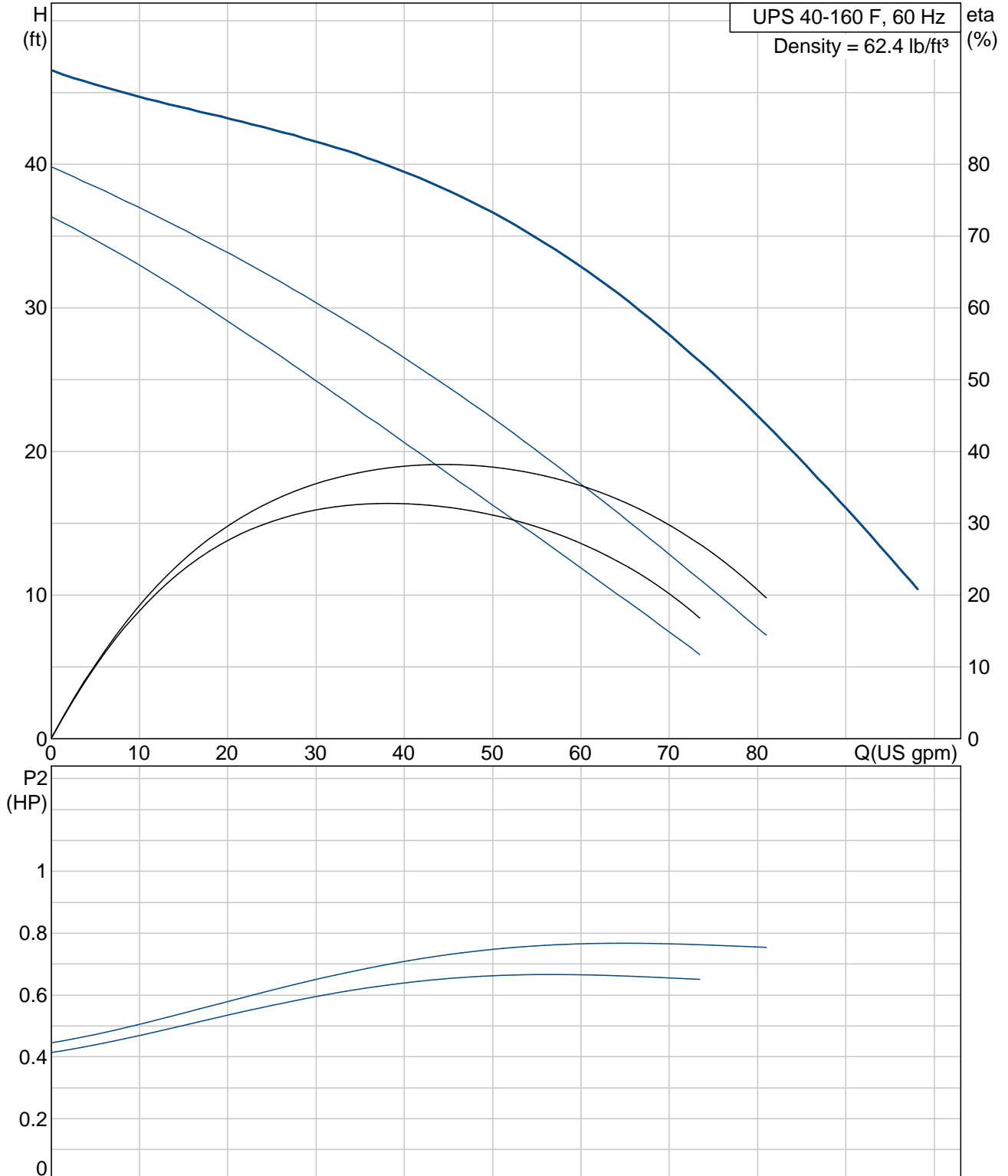
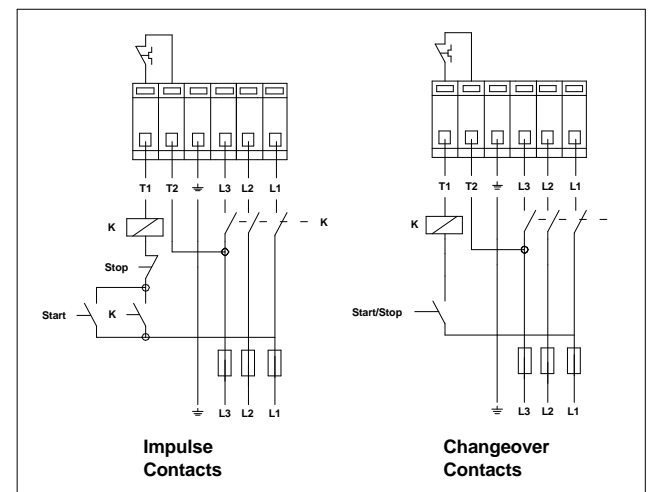
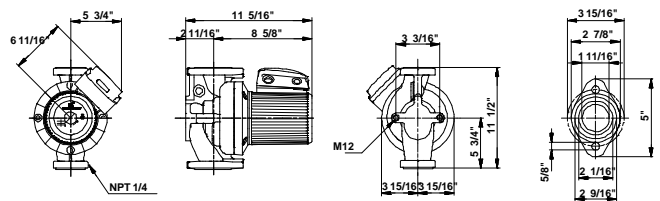
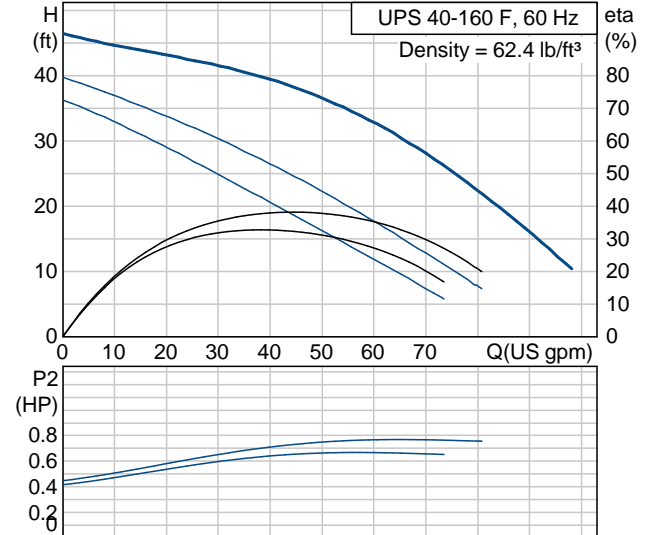


96402784 UPS 40-160 F 60 Hz



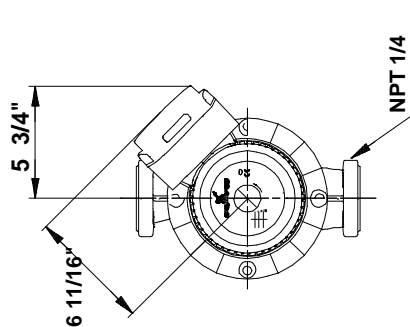
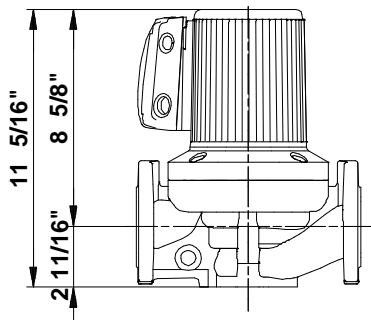
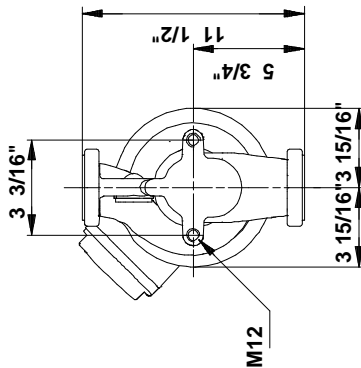
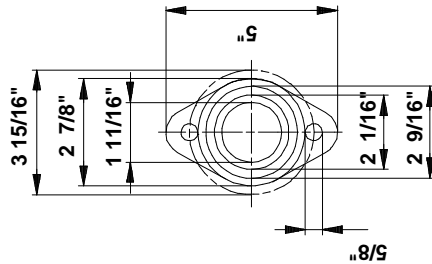
Company name: -
 Created by: -
 Phone: -
 Fax: -
 Date: -

Description	Value
Product name:	UPS 40-160 F
Product Number:	96402784
EAN number:	5700390681289
Technical:	
Speed Number:	3
Head max:	52.5 ft
Approvals on nameplate:	CUL
Model:	C
Materials:	
Pump housing:	Cast iron EN-JL1040 ASTM 35 B - 40 B
Impeller:	Stainless steel DIN W.-Nr. 1.4301 AISI 304
Installation:	
Range of ambient temperature	32 .. 104 °F
Maximum operating pressure	145 psi
Flange standard:	USA Oval
Type of connection:	F
Pipe connection:	40
Pressure stage:	145 psi
Port-to-port length:	11 1/2" mm
Liquid:	
Liquid temperature range	14 .. 248 °F
Density:	62.4 lb/ft ³
Electrical data:	
Power input in speed 1:	500 W
Power input in speed 2:	570 W
Max. power input:	800 W
Main frequency:	60 Hz
Rated voltage:	3 x 208-230 V
Current in speed 1	1.55 A
Current in speed 2	1.75 A
Current in speed 3	2.5 A
Cos phi in speed 1:	0,81
Cos phi in speed 2:	0,82
Cos phi:	0,8
Enclosure class (IEC 34-5):	X4D
Insulation class (IEC 85):	H
Motor protection:	CONTACT
Thermal protec:	external
R:	22.8 - 30.0 ohm
Controls:	
Relay	without relay
Pos term box:	1.30H
Others:	
Net weight:	45.4 lb
Gross weight:	40.6 lb
Shipping volume:	3.46 ft ³
Sales region:	Namreg



Company name: -
Created by: -
Phone: -
Fax: -
Date: -

96402784 UPS 40-160 F 60 Hz



Note! All units are in [mm] unless others are stated.
Disclaimer: This simplified dimensional drawing does not show all details.