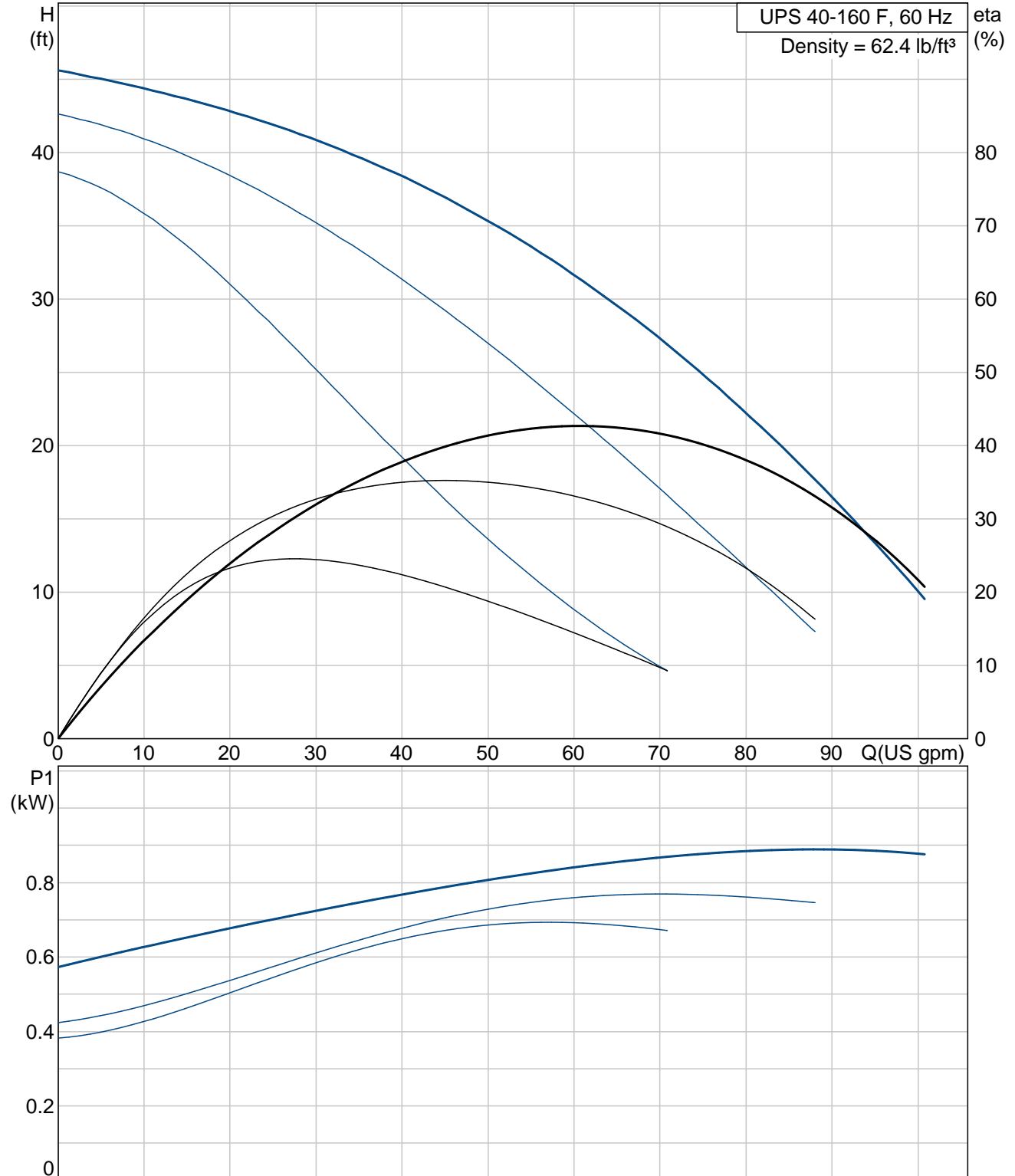
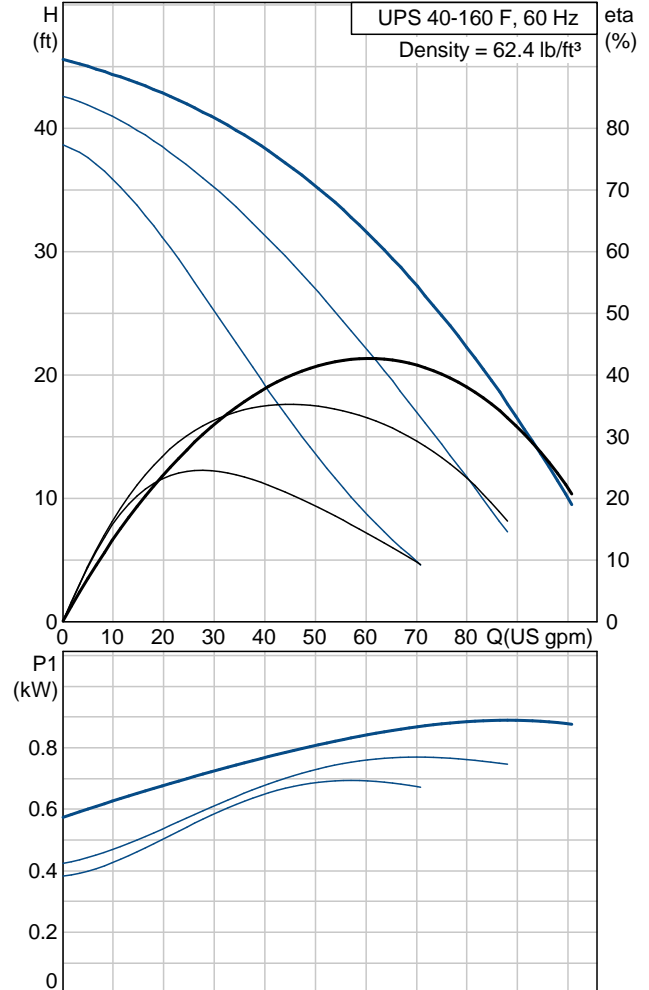


## 96402782 UPS 40-160 F 60 Hz



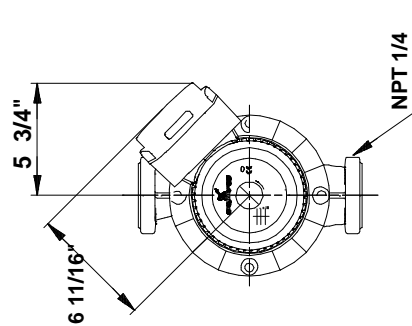
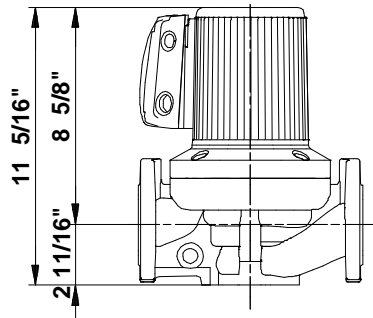
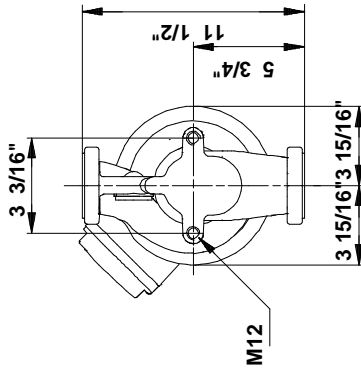
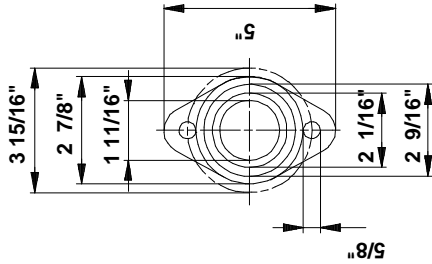
Company name: -  
 Created by: -  
 Phone: -  
 Fax: -  
 Date: -

Description	Value
Product name:	UPS 40-160 F
Product Number:	96402782
EAN number:	5700390681210
<b>Technical:</b>	
Speed Number:	3
Head max:	52.5 ft
Approvals on nameplate:	CUL
Model:	C
<b>Materials:</b>	
Pump housing:	Cast iron EN-JL1040 ASTM 35 B - 40 B
Impeller:	Stainless steel DIN W.-Nr. 1.4301 AISI 304
<b>Installation:</b>	
Range of ambient temperature	32 .. 104 °F
Maximum operating pressure	145 psi
Flange standard:	USA Oval
Type of connection:	F
Pipe connection:	40
Pressure stage:	145 psi
Port-to-port length:	11 1/2" mm
<b>Liquid:</b>	
Liquid temperature range	14 .. 248 °F
Density:	62.4 lb/ft <sup>3</sup>
<b>Electrical data:</b>	
Power input in speed 1:	690 W
Power input in speed 2:	760 W
Max. power input:	890 W
Main frequency:	60 Hz
Rated voltage:	1 x 115 V
Current in speed 1	6.95 A
Current in speed 2	7.45 A
Current in speed 3	8.4 A
Cos phi in speed 1:	0,86
Cos phi in speed 2:	0,89
Cos phi:	0,92
Capacitor size - run	80 µF/250 V
Enclosure class (IEC 34-5):	X4D
Insulation class (IEC 85):	H
Motor protection:	CONTACT
Thermal protec:	internal
R a:	2.85 - 3.75 ohm
R s1:	1.1 - 1.44 ohm
R s2:	1.94 - 2.55 ohm
<b>Controls:</b>	
Relay	with relay
Pos term box:	1.30H
<b>Others:</b>	
Net weight:	45.4 lb
Gross weight:	40.6 lb
Shipping volume:	3.46 ft <sup>3</sup>
Sales region:	Namreg



Company name: -  
Created by: -  
Phone: -  
Fax: -  
Date: -

## 96402782 UPS 40-160 F 60 Hz



Note! All units are in [mm] unless others are stated.  
Disclaimer: This simplified dimensional drawing does not show all details.